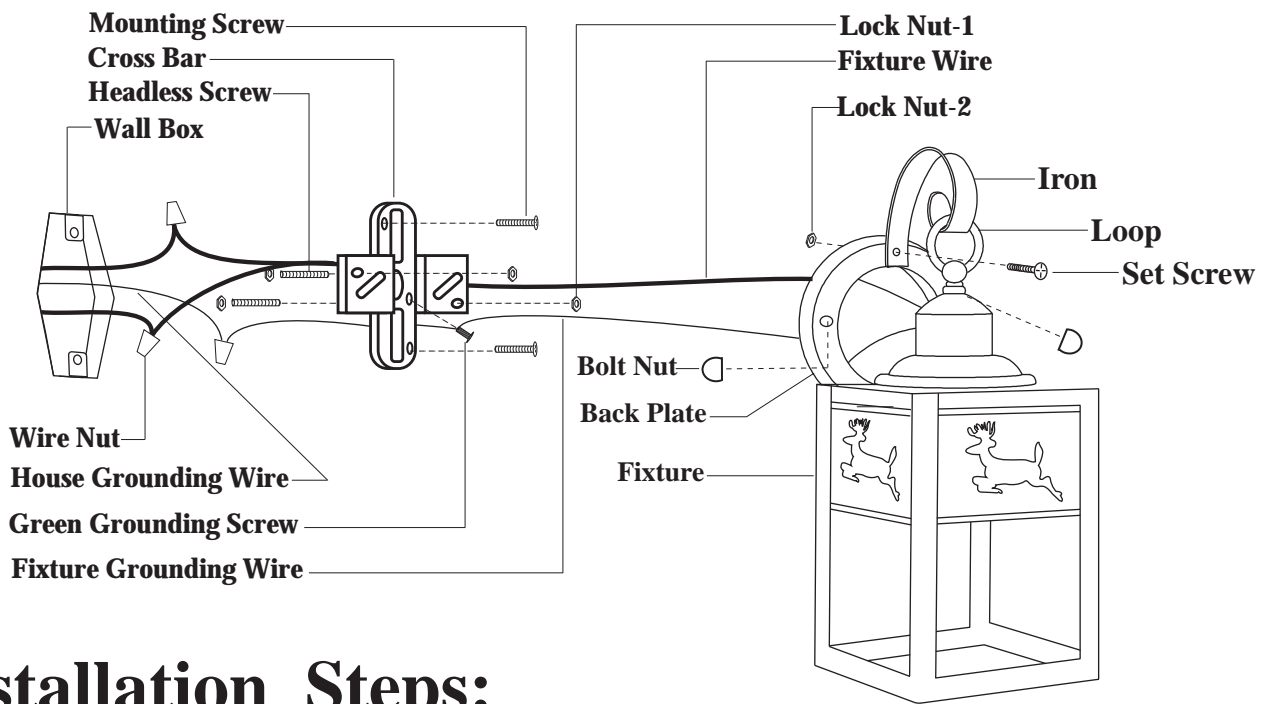


# ASSEMBLY AND INSTALLATION INSTRUCTIONS

OW33553

**WARNING:** TO AVOID RISK OF ELECTRICAL SHOCK, BE SURE TO SHUT OFF POWER WHILE INSTALLING OR SERVICING THIS FIXTURE.

**NOTE:** Before installing, consult local electrical codes for wiring and grounding requirements.



## Installation Steps:

1. Thread two headless screws to the cross bar, and then secure with four lock nuts-1. **(You can adjust the length of the screws if necessary.)**
2. Attach the cross bar to the wall box by using two mounting screws.
3. Hook the iron to the loop, and then attach the iron to the back plate by using the set screw and the lock nut-2.
4. Make wire connections with wire nuts:
  - The black wire from fixture to the black wire from power source.
  - The white wire from fixture to the white wire from power source.
  - Attach the fixture grounding wire to the cross bar with the green grounding screw. Then connect it to the house grounding wire with the wire nut.Carefully tuck wires back into the wall box.
5. Attach the back plate to the cross bar by inserting the headless screws, and then secure with the bolt nuts.
6. Install a bulb. **(Please do not exceed the maximum capacity that is recommended on the package.)**
7. Turn on the power at fuse or circuit box.