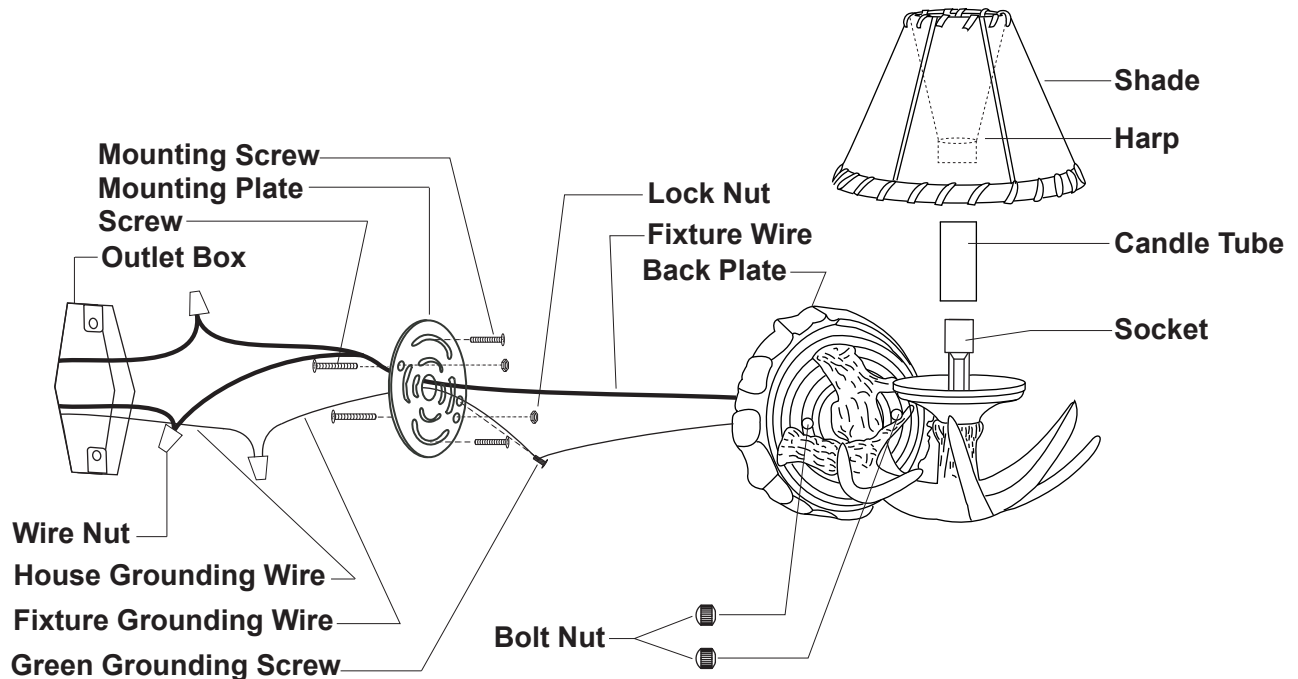


ASSEMBLY AND INSTALLATION INSTRUCTIONS

WL33041 / WL33042

WARNING: BE SURE TO SHUT OFF POWER AT THE MAIN FUSE OR CIRCUIT BREAKER BOX BEFORE INSTALLING OR SERVICING THIS FIXTURE.

NOTE: 1. Before installing, consult local electrical codes for wiring and grounding requirements. 2. READ AND SAVE THIS INSTRUCTION.



1. Thread two screws to the mounting plate, and secure them with two lock nuts. Adjust the length of the screws if necessary.
2. Attach the mounting plate to the outlet box by using two mounting screws.
3. Pull out the outlet wires and the house grounding wire from the outlet box. Make wire connections using the wire nuts:
 - Connect the black wire from the fixture to the black wire from the power source.
 - Connect the white wire from the fixture to the white wire from the power source.
 - Attach the fixture grounding wire to the mounting plate with the green grounding screw. Then connect it to the house grounding wire with a wire nut.Carefully put the wires back into the outlet box.
4. Attach the back plate to the mounting plate by inserting the screws, then secure it with two bolt nuts.
5. Attach the candle tube onto the socket. Then attach the harp of the shade onto the candle tube.
6. Install a bulb (not included). See relamping label at socket area or packaging for maximum allowed wattage.
7. Turn on the power at the main fuse or circuit breaker box.